

# CS-1HDMI-CV-A

HDMI to Component/Composite and Digital S/PDIF or Analog Audio Scaler Converter



## PRELIMINARY DATASHEET CONVERTER



**c-linx series**

### Features

- HDMI 1.3 compliant
- Supported resolutions: 480p, 720p, 1080i, 1080p/60Hz
- Supports up to 24-bit color depth
- Support stereo analog and digital (S/PDIF) audio outputs
- Operation control via push-in button with On Screen Display control interface, IR remote control, or IR remote control through mini-USB
- Input Maximum pixel rate : 165MHz
- Deinterlacer supported
- Supports noise reduction and video enhancement features
- Video enhancement support
- Over / Under scanning adjustable
- Video H/V mirror supported
- Active video area adjustment supported
- USB firmware upgradable for expanding compatibility

### Applications

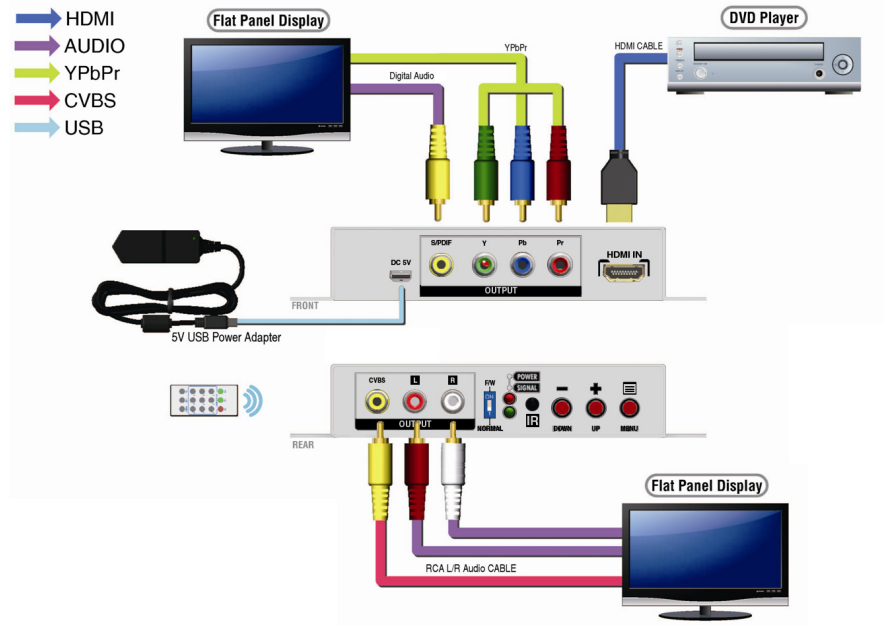
- Digital Signage
- Houses of Worship
- Video Walls
- Auditoriums
- Conference Rooms
- Theaters

### HDMI to YPbPr / CVBS & S/PDIF or Analog Audio Scaler Converter

EMCORE's CS-1HDMI-CV-A provides a professional way to convert HDMI with embedded digital audio to Component or Composite video with digital S/PDIF or stereo analog audio output in real time.

The CS-1HDMI-CV-A ensures that architects, integrators, installers and end-users are presented with more options than ever before for designing, installing and operating in an environment that can easily adapt to multiple video formats.

### Connection Diagram



# CS-1HDMI-CV-A

HDMI to Component/Composite and Digital S/PDIF or Analog Audio Scaler Converter



PRELIMINARY DATASHEET

CONVERTER

## Ordering Information

Model	Description
CS-1HDMI-CV-A	HDMI to YPbPr / CVBS and Digital S/PDIF or Analog Audio Scaler Converter, stand-alone with power supply

## Video

Specifications	Values
Inputs	1x HDMI
HDMI Compliance	HDMI 1.3
Outputs	1x 3RCA [YPbPr], 1x 1RCA [CVBS]
Input Max Pixel Rate	165MHz
Output Max Pixel Rate	74.25MHz
HDMI connector	Type A [19-pin female]
USB connector	Mini B

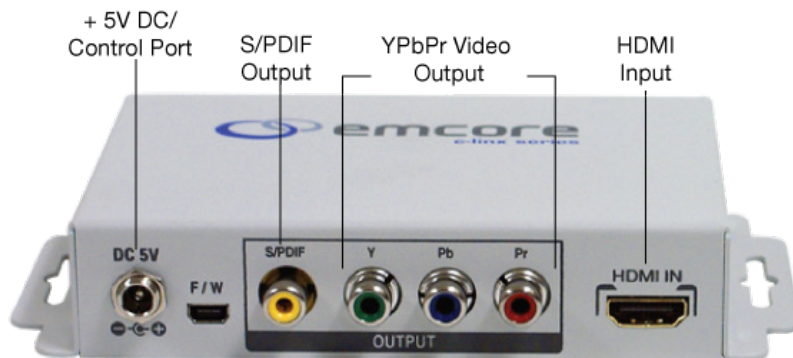
## Audio

Specifications	Values
Audio Support	Stereo PCM (48KHz)
Outputs	1x 2RCA [2-CH R-L] + 1x RCA [S/PDIF]

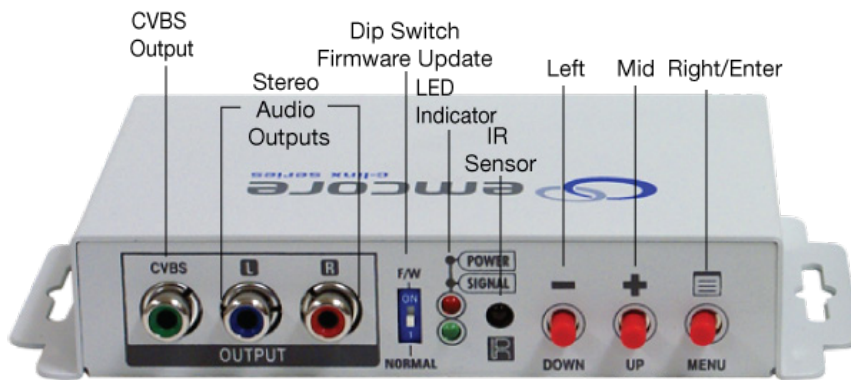
## General

Specifications	Values
Input Power	5V 2A DC
Power Consumption	5w max
Weight	9.5oz [270g]
Dimensions	4.8" x 3.2" x 1.0" [121.9 x 81.2 x 26.2mm]
Operating Temperature	0~40°C
Storage Temperature	-20~60°C
Relative Humidity	20~90%
Warranty	1 Year

CS-1HDMI-CV-A Input Panel



CS-1HDMI-CV-A Output Panel



## Compliance

