

Optiva OTS-RFS-2 40 GHz Wideband RF Splitter



Applications

- RF Redundant Link

Features

- 2 GHz to 40 GHz
- 50 Ohm K
- Fits in Optiva Enclosures Which Support Daisy Chain Video, Audio and Data Links
- 16, 6, 2, & 1 Slot Enclosures Available
- CE & CSA Certified Device, RoHS Compliant

The Optiva OTS-RFS-2 40 GHz Wideband RF Splitter is designed to provide RF signal distribution for satellite antenna applications up to 40 GHz. It provides RF signal distribution to support 1x1 RF fiber link redundancy applications.

Optiva Wideband RF Splitters can be housed in the same chassis and monitored by the same Network Management System (NMS) as Optiva HD video, audio, serial data, and USB extension / distribution cards to support transport of multiple signal formats and frequency bands in a single flexible platform.



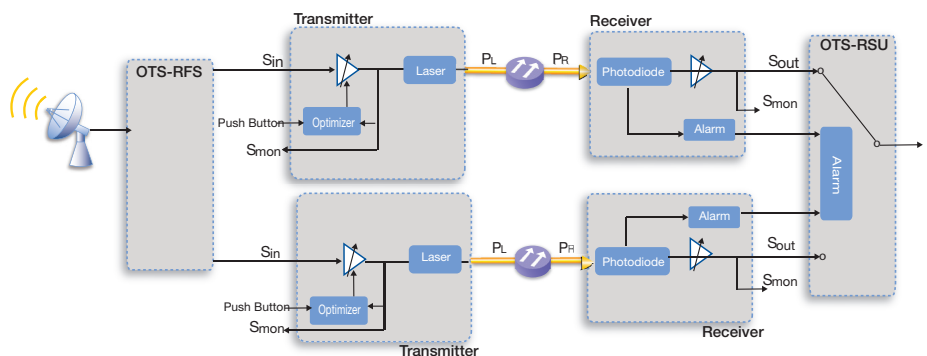
System Design

The Optiva platform includes a wide range fiber optic transport products for satellite and microwave communications from 1 MHz to 40 GHz. These units can be used to construct transparent inter- and intra-facility links from 1 meter to >100 km for RF and microwave signal transport, antenna remoting, video transport, electronic warfare systems and other high-dynamic-range applications.



Optiva is a completely modular, hot-swappable platform. Both 19" rack-mount and compact tabletop, or wall-mountable enclosures are available. The 3 RU 19" rack-mount, fan-cooled enclosures (Model OT-CC-16 and OT-CC-16F) can support up to 16 insert cards and utilize two dual-redundant, hot-swappable, 100 or 200 watt power supplies. The 1 RU 19" rack-mount, fan-cooled enclosure (Model: OT-CC-6-1U) can accommodate 6 insert cards and utilizes two hot-swappable 60 watt power supplies. Compact one-slot (OT-DTCR-1), or two-slot (OT-DTCR-2) enclosures are also available that use an external wall-mount power supply.

Block Diagram



Optiva OTS-RFS-2

40 GHz Wideband RF Splitter

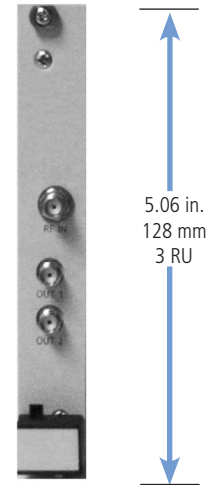
Performance Highlights

Parameter	Min	Typical	Max	Units
Frequency Range	2000	-	40000	MHz
Insertion Loss 2000 - 40000 MHz	-	5.3	5.5	dB
Isolation	13	14	-	dB
Input Return Loss	-7	-	-	dB
Output Return Loss	-7	-	-	dB
Forward RF Power Handling (CW)	-	-	10	W
Reverse RF Power Handling (CW)	-	-	3	W

Ordering Information

Product Code	Specifications
OTS-RFS-2-K5-40	RFS 2000-40000 MHz, K 50 ohm
OTS-RFS-2-K5-40-SS	RFS 2000-40000 MHz, K 50 ohm, with 2 K to K cables
OPV-CTRL-IC	NMS SNMP Controller Card & MIB for Optiva Family
OTP-1ETR-A2/A2	Ethernet Transceiver, 1 Channel, 10/100 Ethernet -- See OTP-1ETR Data Sheet for Exact Models
OT-CC-16F-XX	Chassis, Rack-Mount, 16-Slot, 3 RU -- See OT-CC-16F Data Sheet for Exact Models
PS-200F-XX	Power Supply, 12 VDC, 100 to 240 VAC, 50/60 Hz, Specify Power Cord (NA, EU, UK)
OT-CC-6-XX	Chassis, Rack-Mount, 6-Slot, 1 RU with Power Supply -- See OT-CC-6-XX Data Sheet for Exact Models
OT-DTCR-1 / OT-DTCR-2	Chassis, Flange-Mount, with Power Supply, 1 slot / 2 slot -- See OT-DTCR Data Sheet for Exact Models

OTS-RFS-2



Enclosure Options

