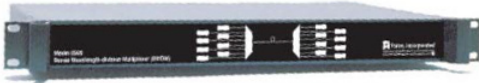


6925 CWDM 1550 nm Fiber Bi-Directional Multiplexer/Demultiplexer



Applications

- MDU
- CCTV
- Point to Multi-Point
- Tapped Trunk
- Site Diversity

Features

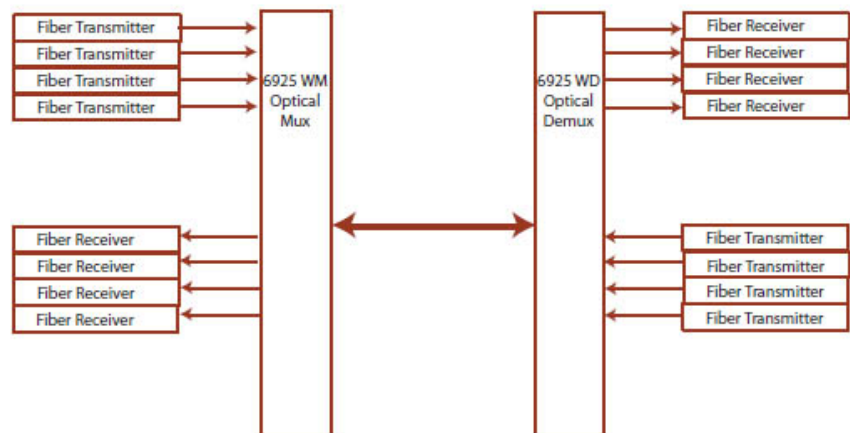
- Low Insertion Loss
- Low Polarization-Dependent Loss
- Bi-Directional Capability
- High Channel-to-Channel Uniformity
- Up to 8 Channels
- 1 U Rack Mountable Package
- EDFA Compliant Wavelengths

The EMCORE 6925 CWDM (Coarse Wave Division Multiplexing) is an all fiber bi-directional multiplexer / demultiplexer. The CWDM allows up to eight channels to be stacked in the 1550 nm regions of optical fiber for both uni-directional and bi-directional applications. The 6925 implements high channel-to-channel isolation to ensure that no interference occurs between channels in a bidirectional configuration.



CWDM technology increases the capacity of embedded fibers, allowing system growth without costly cable plant upgrades. The EMCORE 6925 is an excellent choice for addressing the increased need for efficient and capable signal transmission.

Functional Diagram



6925 CWDM 1550 nm Fiber Bi-Directional Multiplexer/Demultiplexer



DATASHEET | OCTOBER 2013

SATCOM

General Specifications

Specifications	Values
Dimensions	11.9"D x 19"W x 1.75"L 302.2 mm x 482.6 mm x 44.4 mm
Weight	5.5 lbs / 2.49 kg
Operating Temperature	-40° to +75° C
Storage Temperature	-45° to +85°C
Humidity	0 to 95% non-condensing

Channel Plan

Channel #	Wavelength	4-Way	6-Way	8-Way
47	1471 nm	X	X	X
49	1491 nm	X	X	X
51	1551 nm	X	X	X
53	1531 nm	X	X	X
55	1551 nm		X	X
57	1571 nm			X
59	1591 nm			X
61	1661 nm			X

Ordering Information

Model	Description
6925WM-SDSP/04	4-Channel CWDM, Mux, SC/APC, (Ch# 51-57)
6925WM-SDAP/04	4-Channel CWDM, Mux, FC/APC, (Ch# 51-57)
6925WD-SDSP/04	4-Channel CWDM, DeMux, SC/APC, (Ch# 51-57)
6925WD-SDAP/04	4-Channel CWDM, DeMux, FC/APC, (Ch# 51-57)
6925WM-SDSP/06	6-Channel CWDM, Mux, SC/APC, (Ch# 47-57)
6925WM-SDAP/06	6-Channel CWDM, Mux, FC/APC, (Ch# 47-57)
6925WD-SDSP/06	6-Channel CWDM, DeMux, SC/APC, (Ch# 47-57)
6925WD-SDAP/06	6-Channel CWDM, DeMux, FC/APC (Ch# 47-57)
6925WM-SDSP/08	8-Channel CWDM, Mux, SC/APC (Ch# 47-61)
6925WM-SDAP/08	8-Channel CWDM, Mux, FA/APC (Ch# 47-61)
6925WD-SDSP/08	8-Channel CWDM, DeMux, SC/APC (Ch# 47-61)
6925WD-SDAP/08	8-Channel CWDM, DeMux, FA/APC (Ch# 47-61)

Optical Specifications

Parameter	Min	Max	Units
Insertion Loss			
4-Way	2.0	2.5	dB
6-Way	2.8	3.4	
8-Way	43.6	4.5	
Channel Uniformity			
4-Way	-	1.2	dB
6-Way	-	1.2	
8-Way	-	1.5	
Isolation Adjacent Channel			
4-Way	25	-	dB
6-Way	28	-	
8-Way	25	-	
Isolation Non-Adjacent Channel	40	-	dB
PDL			
4-Way	-	0.1	dB
6-Way	-	0.2	
8-Way	-	0.2	
PMD	-	0.1	ps
Directivity	55	-	dB
Return Loss	45	-	dB
Optical Power		250	mW
Optical Power		24	dBm