

# CS-1-3G-A-HDMI

3G HD-SDI to HDMI Converter with Loopback, Stereo Analog & Digital Audio



DATASHEET

CONVERTER



## c-linx series

### Features

- Converts uncompressed 3G HD-SDI/HD-SDI/SDI to HDMI 1.2a
- Supported resolutions: NTSC 525@59.94, PAL 625@50, 720p@50/60Hz, 1080i@50/60Hz, 1080p@24/25/30/50/60Hz
- Auto 3G HD-SDI/HD-SDI/SDI detection
- One SDI input with SDI loopback and HDMI outputs
- Supports stereo and digital (S/PDIF) audio
- Supports up to 8 channels audio on the HDMI, making 7.1 channel or 5.1 channel digital audio available
- Supported bandwidths: 2.97 Gbps, 2.97/1.001Gbps, 1.485 Gbps, 1.485/1.001Gbps, 270 Mbps

### Applications

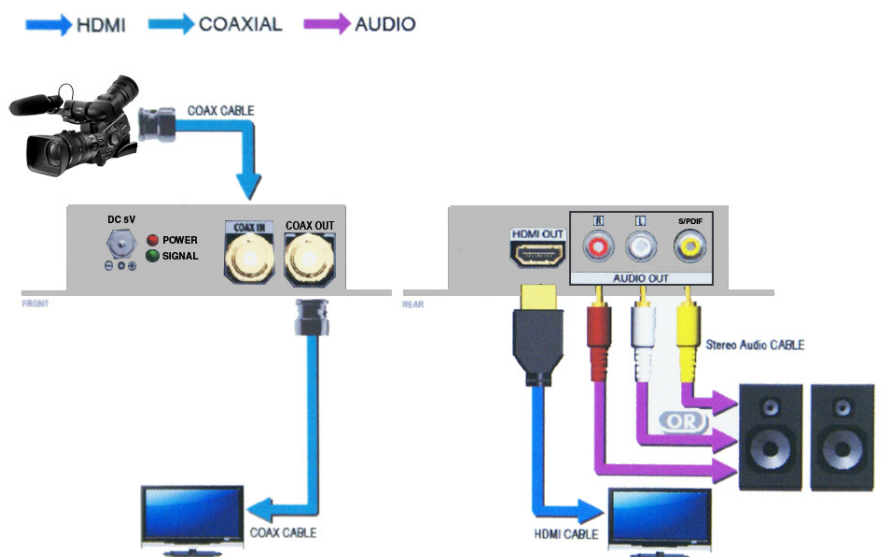
- Broadcast Studios
- Houses of Worship
- CATV Head-ends
- Higher Education

## 3G HD-SDI to HDMI Converter with Loopback, Analog & S/PDIF Audio

EMCORE's CS-1-3G-A-HDMI provides a professional way to convert 3G HD-SDI/HD-SDI/SDI to HDMI in real time. The conversion from SDI to HDMI is pure digital and guarantees the highest quality video and audio conversion possible. Plus, with up to 8 channels audio support, 7.1 channel or 5.1 channel audio becomes available.

The CS-1-3G-A-HDMI also provides a low jitter SDI output for local monitoring or distribution to switchers and broadcast displays. The CS-1-3G-A-HDMI ensures that architects, integrators, installers and end-users are presented with more options than ever before for designing, installing and operating in an environment that can easily adapt to multiple video formats.

### Connection Diagram



# CS-1-3G-A-HDMI

3G HD-SDI to HDMI Converter with Loopback, Stereo Analog & Digital Audio



DATASHEET

CONVERTER

## Ordering Information

Model	Description
CS-1-3G-A-HDMI	3G HD-SDI to HDMI with loopback, stereo analog and digital (S/PDIF) audio, stand-alone with power supply
PS-5-NA	Power supply, North America
PS-5-EU	Power supply, European
PS-5-UK	Power supply, United Kingdom
PS-5-AU	Power supply, Australia

## Video

Specifications	Values
Video Inputs	3G HD-SDI, HD-SDI, SDI
Data Rate	2.97 Gbps, 2.967 Gbps, 1.485 Gbps, 1.4835 Gbps, 270 Mbps
Standards	SMPTE 424M, 292M, 296M and 259M
Inputs	1x SDI
Outputs	1x HDMI + 1x SDI (Loopback)
BNC connector	75 Ω inter-locked socket
HDMI connector	Type A [19-pin female]

## Audio

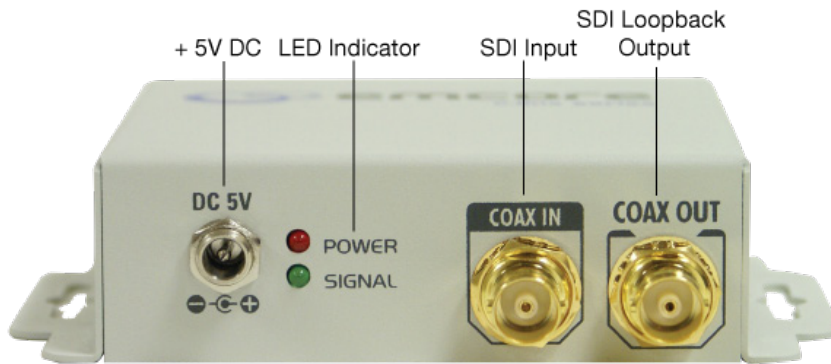
Specifications	Values
Outputs	2x RCA [2ch] + 1x S/PDIF

## General

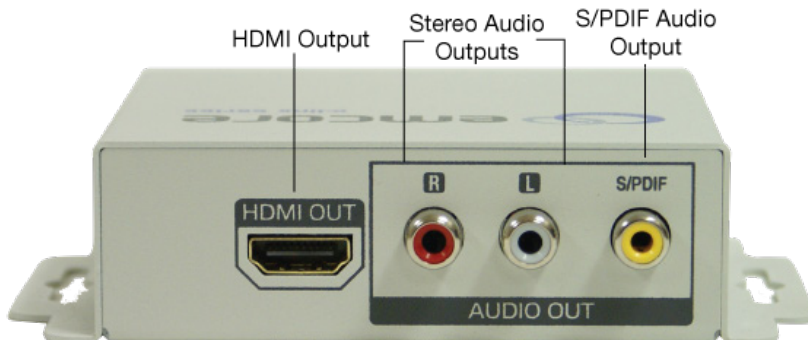
Specifications	Values
Input Power	5V DC
Power Consumption	3w max
Weight	10.5oz [300g]
Dimensions	3.6" x 3.3" x 1.1" [92 x 83 x 28mm]
Operating Temperature	0~40°C
Storage Temperature	-20~60°C
Relative Humidity	20~90%
Warranty	1 Year

## Connection Diagram

CS-1-3G-A-HDMI Input Panel



CS-1-3G-A-HDMI Output Panel



## Compliance

