

CX-1DVI-A-D

DVI Extender with HDBaseT, RS-232 & Stereo Analog Audio



DATASHEET

EXTENDER



TX



RX

c-linx series

Features

- Supported resolutions: 480p, 720p, 1080p/60Hz
1600x1200/60Hz, 1920x1200/60Hz
- HDBaseT and DVI 1.0 compliant
- EDID and HDCP compliant
- Extends the transmission length from the sources up to 100 meters
- Auto equalization
- Supports HDTV resolutions and VESA standards up to 1920x1200/60Hz
- Supports serial port RS-232 [TXD and RXD] for control
- Direct plug-in at TX and wall-mounting with screws at RX

Applications

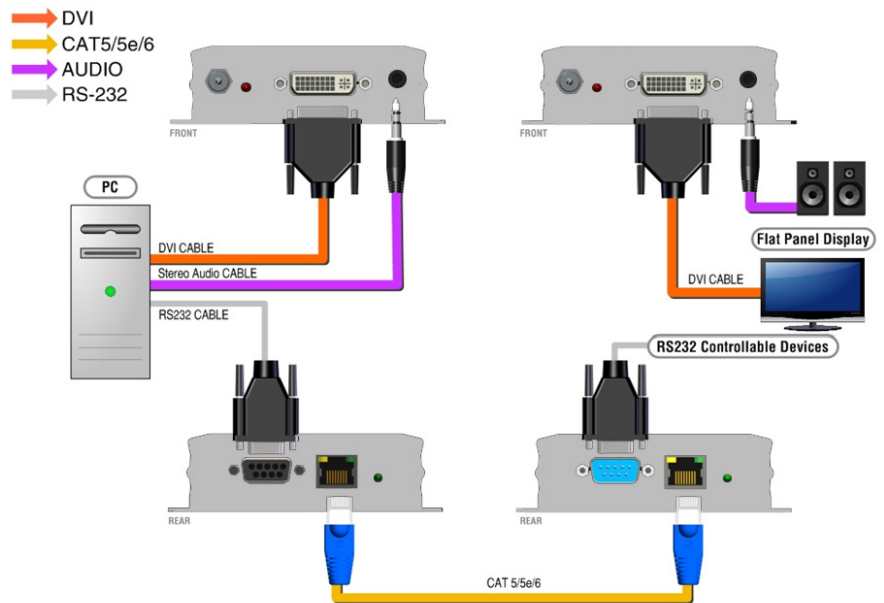
- Digital Signage
- Video Walls
- Conference Rooms
- Houses of Worship
- Higher Education
- Auditoriums
- Theaters

DVI Extender with HDBaseT, RS-232 & Stereo Analog Audio

EMCORE's CX-1DVI-A-D provides a professional way to extend DVI with RS-232 and stereo analog audio up to 100 meters in real time over CATx with HDBaseT. With CX-1DVI-A-D, users can transmit high quality digital video from a PC through one cost effective CATx cable to a remote monitor or projector.

The CX-1DVI-A-D comes as a link, with both transmitter and receiver units. The transmitter is connected to your PC DVI output and serial port, such as COM1, and the receiver is connected to a monitor with serial control such as touch panels. The CX-1DVI-A-D ensures that architects, integrators, installers and end-users are presented with more options than ever before for sending impressive digital video to remote displays.

Connection Diagram



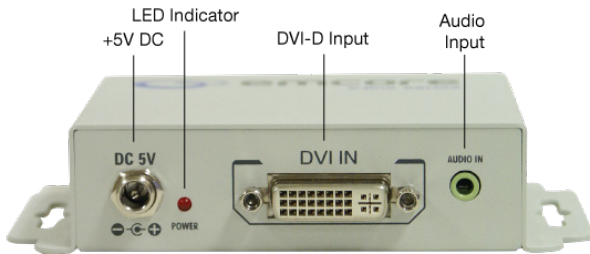
DATASHEET **EXTENDER**

Ordering Information

Model	Description
CX-1DVI-A-D	DVI extender (Tx and Rx) over single CATx (HDBaseT) with stereo audio and RS-232, stand-alone with power supplies

Connection Diagram

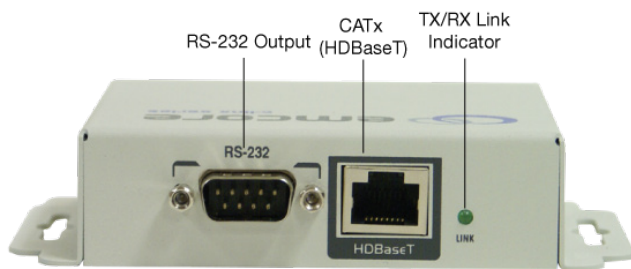
CX-1DVI-A-D Tx Input Panel



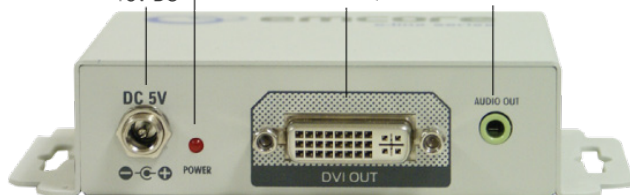
CX-1DVI-A-D Tx Output Panel



CX-1DVI-A-D Rx Input Panel



CX-1DVI-A-D Rx Output Panel



Video

Specifications	Values
Inputs	DVI
Outputs	DVI
DVI connector	DVI-I [29-pin female]
DVI and HDCP Compliance	DVI and HDCP 1.1
Video bandwidth	3x 3.4 Gbps
Video resolution	480p, 720p, 1080p/60Hz 1600x1200/60Hz, 1920x1200/60Hz

Audio

Specifications	Values
Audio	2-channel stereo analog audio
Audio Interface	3.5mm Stereo jack (TX & RX)

RS-232

Specifications	Values
RS-232 support	TX: Host RX: Device

General

Specifications	Values
Input Power	5V DC
Power Consumption	15w max
Weight	9.1oz [258g]
Dimensions	3.7" x 2.9" x 1.1" [94 x 74 x 28 mm]
Operating Temperature	0~80°C [32~176°F]
Storage Temperature	-20~80°C [-4~176°F]
Relative Humidity	20~90%
Warranty	1 Year

Compliance

