

# CX-1HDMI-IR

HDMI Extender with HDBaseT, RS-232 & Bi-directional IR



DATASHEET

EXTENDER



**c-linx series**



## Features

- Extends uncompressed HDMI video over CATx, up to 100m at Full HD 1080p and 80m at 4K UHD (3840x2160/30Hz)
- Supported resolutions: 480i, 480p, 720p, 1080i, 1080p/60Hz, 4K UHD (3840x2160/30Hz)
- Supports HDMI Deep Color (48-bit color depth)
- Supports 3D video
- Supports POE/POH (Power over Ethernet/HDBaseT)
- Supports HDCP, CEC and EDID
- Auto equalization
- Supports surround sound (up to 7.1ch) or stereo digital audio
- Supports DTS-HD Master Audio and Dolby TrueHD high bit rate audio
- Supports Bi-directional IR (20 KHz to 60 KHz)
- Full Duplex RS-232 control up to 115,200 bps through connector

## Applications

- Digital Signage
- Houses of Worship
- Video Walls
- Auditoriums
- Conference Rooms
- Theaters

## HDMI Extender with HDBaseT, RS-232 and Bi-directional IR

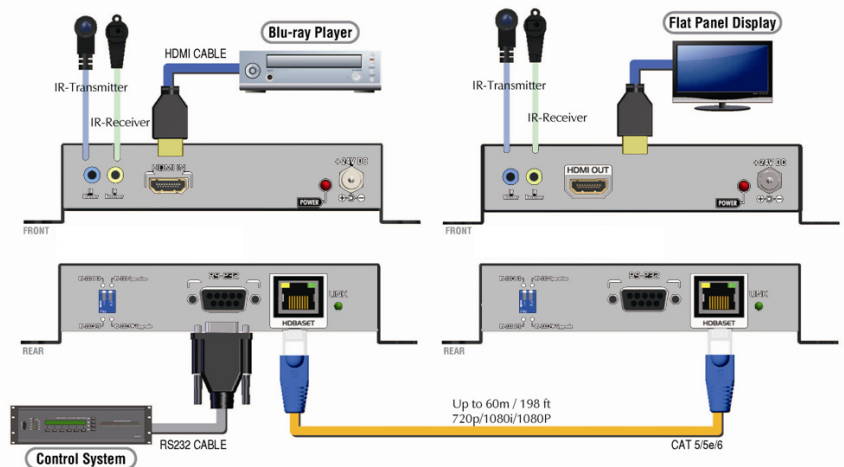
The CX-1HDMI-IR provides a professional way to extend HDMI with RS-232 and bi-directional IR up to 100 meters in real time over CATx with HDBaseT. With CX-1HDMI-IR, users can transmit the most high quality 3D digital video with HDMI specification from DVD players, Blu-ray Disc player, PS3, and any other kinds of sources compliant with TMDS, to distant display monitors, including HDMI or DVI enabled TV sets or LCD PC monitors. Compatibility is further insured with advanced design for the latest HDMI technology, deep color video, DTS-HD audio, Dolby TrueHD audio and HDCP support.

In addition, the CX-1HDMI-IR is equipped with bi-directional IR pass-through path and RS-232 serial port control. These bonus features allow users to boost IR control distance up to 100m and makes IR control possible through only a single CATx cable including HDMI signals. The included serial port offers a convenient path for interactive applications such as touch panels.

The CX-1HDMI-IR comes as a link, with both transmitter and receiver units. The transmitter is used to capture the input HDMI/DVI signals with IR control packets and the carry the signals over a single CATx cable. The receiver equalizes the transmitted HDMI signal and reconstructs IR and serial control signals. The CX-1HDMI-IR ensures that architects, integrators, installers and end-users are presented with more options than ever before for sending impressive digital video to remote displays.

## Connection Diagram

- ➔ HDMI
- ➔ CAT5/5e/6
- ➔ RS-232
- ➔ IR (outgoing)
- ➔ IR (incoming)



# CX-1HDMI-IR

HDMI Extender with HDBaseT, RS-232 & Bi-directional IR



## DATASHEET

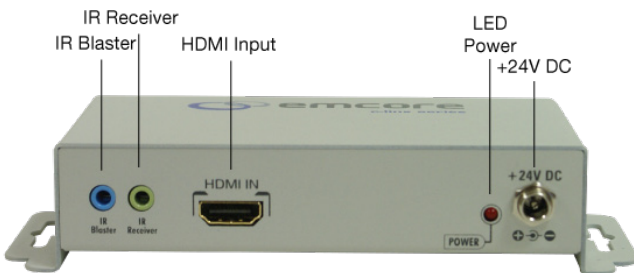
## EXTENDER

### Ordering Information

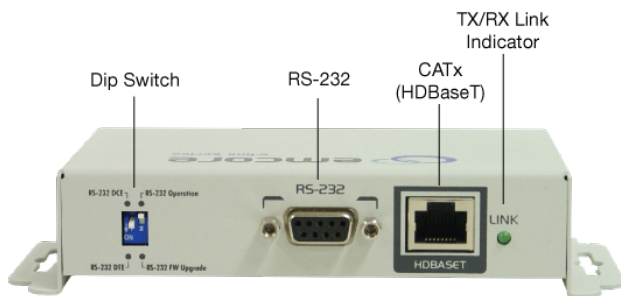
Model	Description
CX-1HDMI-IR	HDBaseT, HDMI extender (Tx and Rx) over single CATx, 100m, stand-alone with power supplies

### Connection Diagram

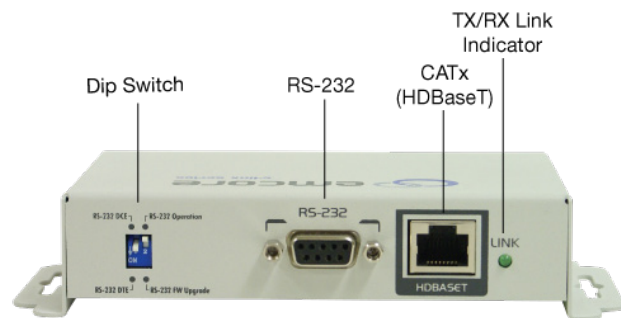
CX-1HDMI-IR Tx Input Panel



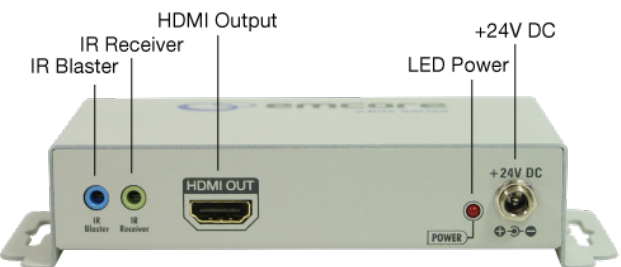
CX-1HDMI-IR Tx Output Panel



CX-1HDMI-IR Rx Input Panel



CX-1HDMI-IR Rx Output Panel



### Video

Specifications	Values
Inputs	HDMI
Outputs	HDMI
HDMI connector	Type A [19-pin female]
HDMI and HDCP Compliance	HDMI 1.3 and HDCP 1.1
Video bandwidth	340 MHz [10.2Gbps]
Video support	480i/60Hz, 480p/60Hz, 720p/60Hz, 1080i/60Hz, 1080p/60Hz, up to 4K UHD (3840x2160/30Hz)

### Audio

Specifications	Values
Inputs	Surround sound [up to 7.1ch] or stereo digital audio with auto equalization

### Data

Specifications	Values
Data IRD	Bi-directional IR
IRD connector	3.5mm earphone jack
RS-232 support	Yes

### General

Specifications	Values
Input Power	24V DC
Power Consumption	12w max
Weight	11 oz [320g]
Dimensions	3.3" x 2.4" x 1" [85 x 60 x 25mm]
Operating Temperature	0~40°C [32~104°F]
Storage Temperature	-20~60°C [-4~140°F]
Relative Humidity	20~90%
Warranty	1 Year

### Compliance

