

The Optiva OTS-OSP series fiber optic splitter/combiner enables a single transmitter to feed either 2, 4, 8, or 16-way optical receivers. The Optiva OTS-OSP splitter is most typically used for point-to-multipoint or site diversity applications. The OSP-202-SA and OSP-402-SA are 1-slot Optiva plug-in modules, while the OSP-802-SA and OSP-1602-SA are 2-slot Optiva plug-in modules.



Applications

- Point-to-Multipoint
- Site Diversity
- Security
- Satellite Communications

Features

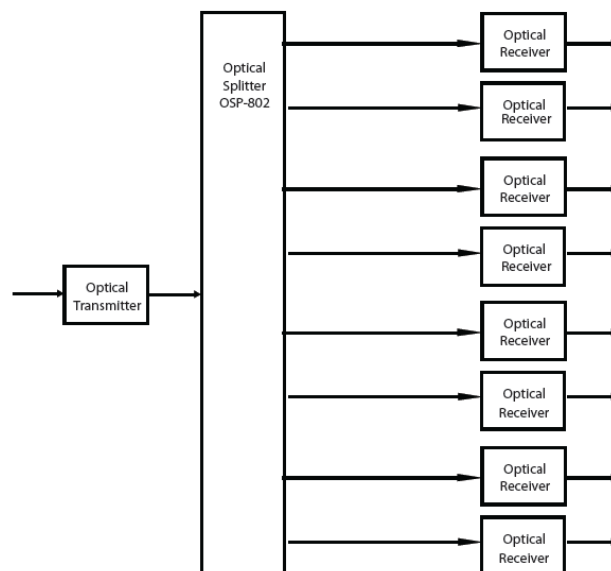
- 2, 4, 8, and 16-Way
- Optiva Insert Card Form Factor
- Low Insertion Loss
- 16, 6, 2, & 1 Slot Enclosures Available (8 & 16-Way Not Applicable to 1 Slot Enclosure)
- CE & CSA Certified Device

System Design

The Optiva platform includes a wide range fiber **optiva** PLATFORM optical transport products for satellite and microwave communications from 1 MHz to 40 GHz. These units can be used to construct transparent inter- and intra-facility links from 1 meter to >100 km for RF and microwave signal transport, antenna remoting, video transport, electronic warfare systems and other high-dynamic-range applications.

Optiva is a completely modular, hot-swappable platform. Both 19" rack-mount and compact tabletop, or wall-mountable enclosures are available. The 3 RU 19" rack-mount, fan-cooled enclosures (Model OT-CC-16 and OT-CC-16F) can support up to 16 insert cards and utilize two dual-redundant, hot-swappable, 100 or 200 watt power supplies. The 1 RU 19" rack-mount, fan-cooled enclosure (Model: OT-CC-6-1U) can accommodate 6 insert cards and utilizes two hot-swappable 60 watt power supplies. Compact one-slot (OT-DTCR-1), or two-slot (OT-DTCR-2) enclosures are also available that use an external wall-mount power supply.

Functional Diagram - Point-to-Multipoint



General Specifications

Specifications	Values
Insertion Loss	
OSP-202-XX-SA-50/50	< 5.5 dB
OSP-202-XX-SA-70/30	< 4.1 dB / 8.4 dB
OSP-202-XX-SA-90/10	< 2.8 dB / 14.7 dB
OSP-402-XX-SA	< 11.5 dB
OSP-802-XX-SA	< 13 dB
OSP-1602-XX-SA	< 16 dB
Optical Return Loss	50 dB
Port Isolation	30 dB
Max Power Handling	21.7 dBm

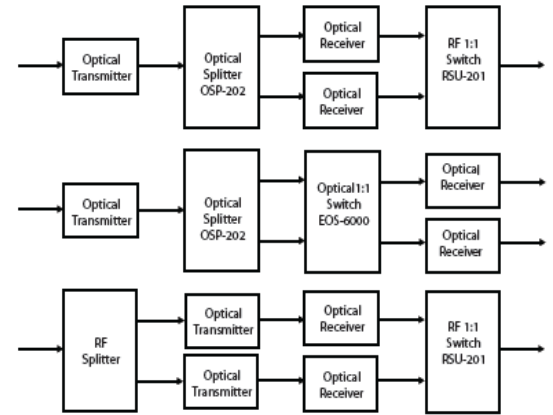
Physical Specifications

Specifications	Values
Dimensions (Insert Card)	
OSP-202 / OSP-402	6.3" D x 0.8" W x 4.0" H / 160.0 mm D x 20.3 mm W x 101.6 mm H
OSP-802 / OSP-1602	6.3" D x 1.6" W x 4.0" H / 160.0 mm D x 40.6 mm W x 101.6 mm H
Weight	
OSP-202	5 oz. / 141.8 g
OSP-402	6 oz. / 170.1 g
OSP-802	8 oz. / 226.8 g
OSP-1602	11 oz. / 311.8 g
Operating Temperature	-20°C to +70°C
Storage Temperature	-40°C to +85°C
Humidity	0% to 95% non-condensing

Models

Product Code	Specifications
OSP-202-13-SA-50	Splitter, 2-Way, SM, SC/APC, 1310, 50/50
OSP-202-15-SA-50	Splitter, 2-Way, SM, SC/APC, 1550, 50/50
OSP-202-13-SA-70	Splitter, 2-Way, SM, SC/APC, 1310, 70/30
OSP-202-15-SA-70	Splitter, 2-Way, SM, SC/APC, 1550 70/30
OSP-202-13-SA-90	Splitter, 2-Way, SM, SC/APC, 1310, 90/10
OSP-202-15-SA-90	Splitter, 2-Way, SM SC/APC, 1550, 90/10
OSP-402-13-SA	Splitter, 4-Way, SM, SC/APC, 1310, Balance Ports
OSP-402-15-SA	Splitter, 4-Way, SM, SC/APC, 1550, Balance Ports
OSP-802-13-SA	Splitter, 8-Way, SM, SC/APC, 1310, Balance Ports
OSP-802-15-SA	Splitter, 8-Way, SM, SC/APC, 1550, Balance Ports
OSP-1602-13-SA	Splitter, 16-Way, SM, SC/APC, 1310, Balance Ports
OSP-1602-15-SA	Splitter, 16-Way, SM, SC/APC, 1550, Balance Ports

Functional Diagram-Site Diversity



Enclosure Options

