



The 35XA-Series fiber-optic delay line delivers unmatched performance for radar testing, signal processing, phased antenna array, and phase noise testing when used in conjunction with either the 5016A/B/C/D fiber-optic transceiver, System 10000 Rack Mount transmitters and receivers or the Flange Mount transmitters and receivers. These rugged devices eliminate many of the problems that are inherent in alternative delay line technologies including acoustic wave devices and coaxial delay lines.



## Features

- Delays up to 280 ms
- Various form factors
- Small size
- Flat RF amplitude response and phase

## Applications

- Radar testing/calibration
- Signal processing
- Phased antenna array
- Phase noise processing

Emcore's fiber-optic delay line provides bandwidth and insertion loss that are essentially independent of delay, and triple transit signals that are immeasurable. In addition to enhancing electrical performance, the delay lines provide several mechanical advantages. This technology takes advantage of the rigid yet flexible properties of fiber-optic cable to provide repeatable enhanced phase and group delay characteristics.

Emcore's fiber-optic delay lines consist of three unique versions:

- 355A – Flange Mount
- 356A – Double Wide Plug-In, compatible with the System 10000 chassis
- 357A – Rack Mount, which is integrated into the System 10000 chassis

The size of these components allows for long delays in a compact package with the superior temperature stability of fiber.

## Ordering Information

Description	355A-XXXX	356A-XXXX	356B-XXXX / XXXX	357A-XXXX	357B-XXXX / XXXX	357C-XXXX / XXXX / XXXX	357D-XXXX / XXXX / XXXX / XXXX	357E-XXXX / XXXX / XXXX / XXXX / XXXX
Delay Spool 1 nS - 110 μS	X	-	-	X				
Delay Spool 1 nS - 16 μS	-	X	-	-				
Dual Delay Spool 1 nS - 8.0 μS	-	-	X	-				
Delay Spool 240 μS	-	-	-	X	X	X	X	X
Delay Spool ≥15 μS - 280 μS	-	-	-	X				

Model Number: 35XX-XXXX-XXX

35XX: Package Style 355A, 356A, 356B or 357A

-XXXX: Delay Time in microseconds (X) 100 (X) 10 (X) 1 (X) 0.1

Example: 85.4 microseconds = 0854

-XXX: Connector Option -020 or -022

## Absolute Maximum Ratings

Stresses in excess of the absolute maximum ratings can cause permanent damage to the device. These are absolute stress ratings only. Functional operation of the device is not implied at these or any other conditions in excess of those given in the operational sections of the data sheet. Exposure to absolute maximum ratings for extended periods can adversely affect device reliability.

Parameter	Symbol	Condition	Min	Max	Units
Storage Temperature	T <sub>STG</sub>	continuous	-40	+85	°C

## Optical Characteristics

Property	Requirements	Units
Fiber	single mode SMF 28 (9/125)	µm
Optical Connector	FC/APC	-
Time Delay <sup>1</sup>	0.1 to 280	µs
Delay Time Accuracy	± 1.0	%
Insertion Loss <sup>2</sup>	$2 + (\text{Delay Time}_{(\mu\text{-sec})} / 6.12)_{(\text{dB}/\mu\text{-sec})}$	dB(RF) max
Insertion Loss <sup>3</sup>	$2 + (\text{Delay Time}_{(\mu\text{-sec})} / 12.24)_{(\text{dB}/\mu\text{-sec})}$	dB(Opt) max
Relative Delay vs Temperature	6.5	ppm/°C

Note 1: 4.89 microseconds = 1 km of fiber, 4.89 nanoseconds = 1 m of fiber.

Note 2: Contribution of optical fiber to the RF insertion loss of overall system.

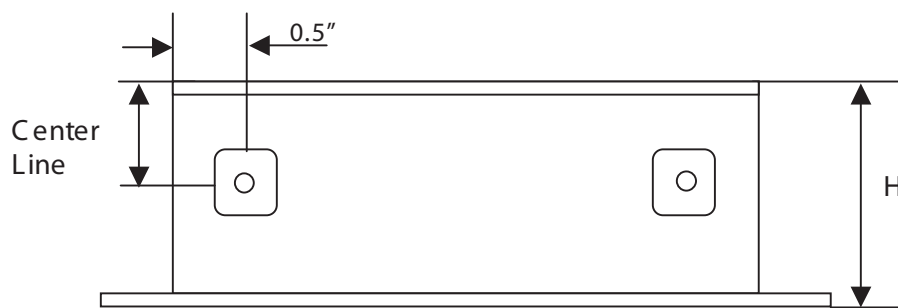
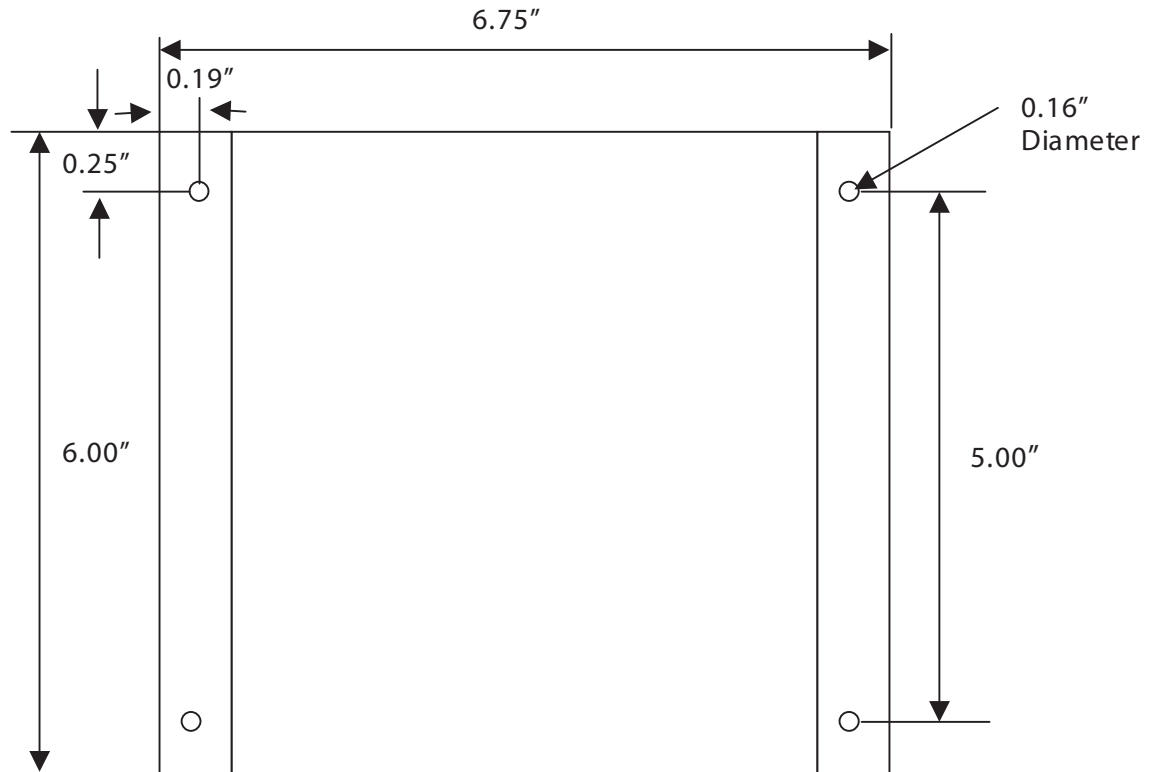
Note 3: Optical insertion loss based upon fiber distance.

## Connector Options

Description	Specifications		
	355A	356A/B	357A/B/C/D/E
Optical Connector	355A	356A/B	357A/B/C/D/E
-020 FC/APC Bulkhead	-	X	X
-022 1 Meter FC/APC Pigtail	X	X	X

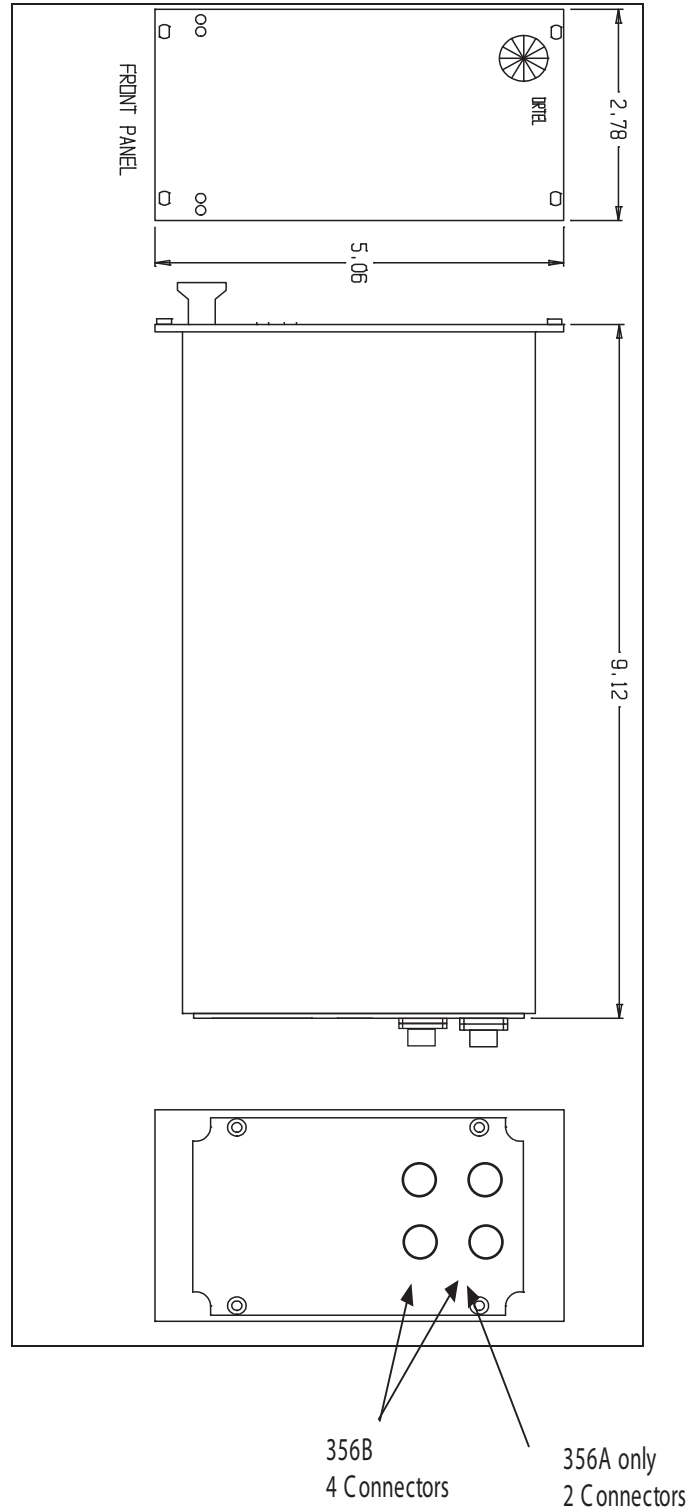
MICROWAVE

## 355A Outline Drawing



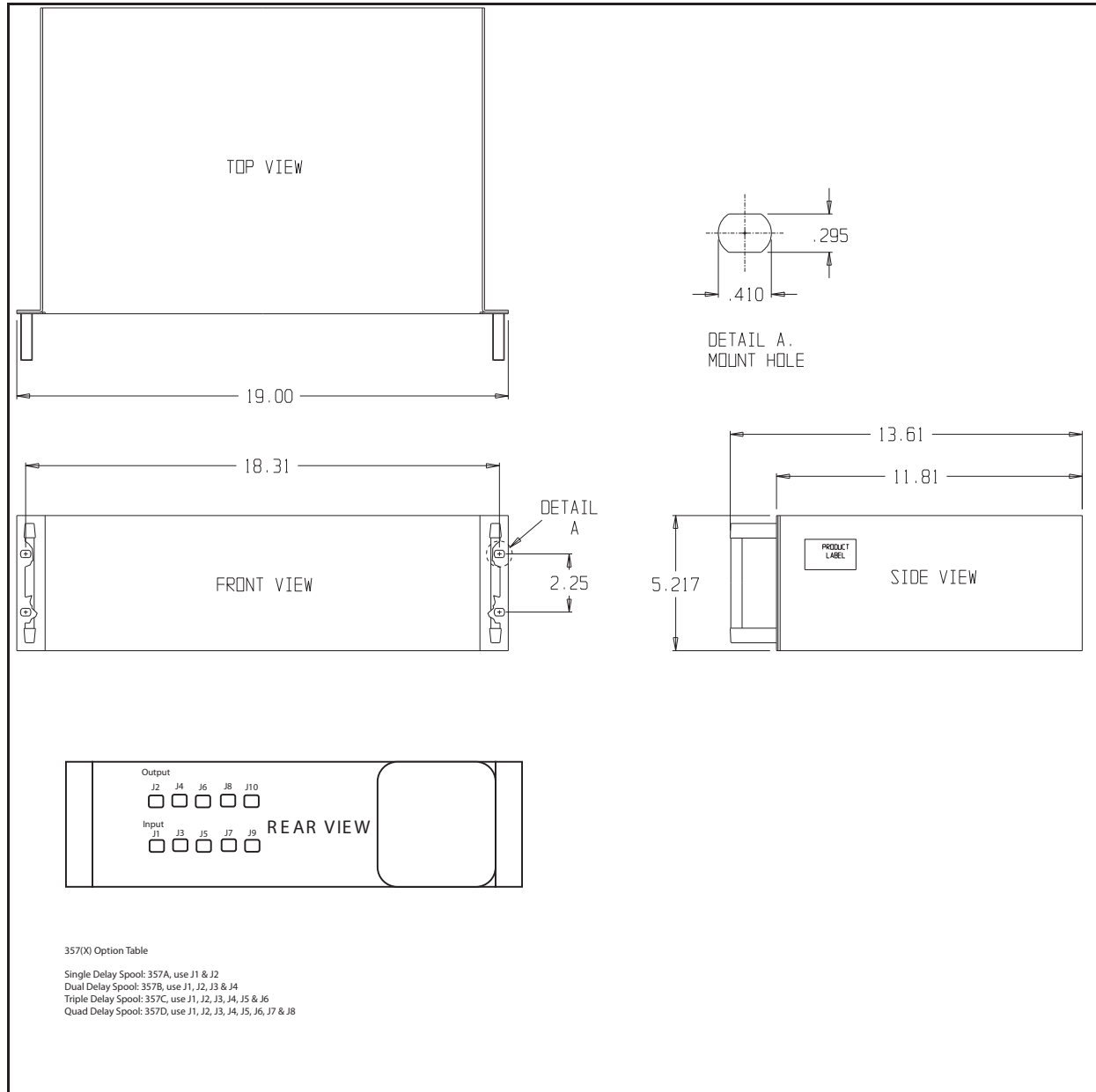
Delay (u-sec)	Dimension "H"
0.5 - 35	2.38"
35 - 60	3.90"
55 - 80	4.80"
75 - 110	6.40"

## 356A/B Outline Drawing



# 35XA - Delay Spools

## 357A Outline Drawing



Rev: June 14, 2010

Information contained herein is deemed to be reliable and accurate as of issue date. EMCORE reserves the right to change the design or specifications of the product at any time without notice. EMCORE and the EMCORE logo are trademarks of EMCORE Corporation.