

# Optiva Insert Card Enclosures

Multi-slot Rackmount, Desktop & Wall-mount



DATASHEET

FIBER OPTICS

## Model Overview

- OT-CC-16: Rackmount 16-Slot Enclosure w/ optional redundant power supplies
- OT-CC-4-1U: Rackmount 4-Slot Enclosure
- OT-DTCR-2: Desktop / Wall-mount 2-Slot Enclosure
- OT-DTCR-1: Desktop / Wall-mount 1-Slot Enclosure

## Features

- Easy Upgradeability and Flexibility
- Ruggedized Aluminum
- Accommodate Redundant Power Supplies
- Insert Cards are Hot-Swappable while in operation



The PS-100, a 100-Watt universal power supply for the OT-CC-16 19" 3RU rackmount chassis. Two models are available. PS-100-NA includes a North American power cord, PS-100-EU includes a European power cord.

## Rackmount and Stand Alone Enclosures for Optiva® Insert Cards

The Optiva® OT-CC-16 frame is a ruggedized aluminum housing chassis that accepts any Opticomm insert card. This high-capacity 16-card plug-in unit provides the "state-of-the-art" platform for density and space utilization. A variety of Optiva cards have been developed for this platform including analog and digital video, L-band and IF-band RF, analog and digital audio, serial data, and Ethernet. Optiva cards have been developed to support both optical and daisy-chaining non-optical formats. New insert cards are being developed to satisfy additional signal formats and applications as well. Please see "Optiva Overview" for a more comprehensive coverage of the types of signal transport available with Optiva.

### OT-CC-16



The Optiva® OT-CC-4-1U is a lower profile rackmount enclosure that holds four Optiva insert cards. It features an integrated 100-Watt power supply with multiple high-flow cooling fans. The fourth slot is capable of accepting the OptivaView® SNMP Management Card. This allows you to remotely monitor enclosure health and card status information. The front of the unit features LED indicators for power, fault, optical lock and network management status.

### OT-CC-4-1U



### OT-DTCR-2



### OT-DTCR-1

Our smallest and most compact enclosures, the OT-DTCR-2 and OT-DTCR-1 are perfect for installations that are space constrained or simply do not require rackable equipment. Popular uses are for remote video camera feeds, airport terminal signage, or simple point-to-point fiber links. These enclosures are passively cooled and powered by the external PS-9012 +12 VDC power supply.

# Optiva Insert Card Enclosures

Multi-slot Rackmount, Desktop & Wall-mount



## DATASHEET

## FIBER OPTICS

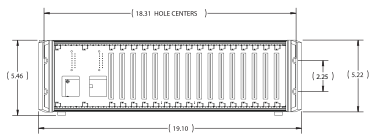
### Ordering Information

| Model       | Description   |
|-------------|---|
| OT-CC-16    | 16-Slot 3RU Rackmount Enclosure w/o Power Supplies                    |
| OT-CC-16-01 | 16-Slot 3RU Rackmount Enclosure w/o Power Supplies, Handles Reversed  |
| OT-CC-4-1U  | 4-Slot 1RU Rackmount Enclosure w/Integrated Power Supply              |
| OT-DTCR-2   | 2-Slot Desktop / Wall-mount Enclosure (PS-9012 Power Supply Included) |
| OT-DTCR-1   | 1-Slot Desktop / Wall-mount Enclosure (PS-9012 Power Supply Included) |

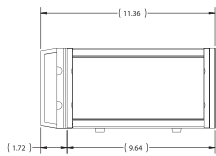
### Mechanical Diagrams

#### OT-CC-16

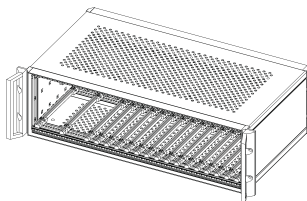
FRONT VIEW



SIDE VIEW



ISOMETRIC VIEW

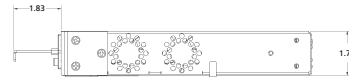


#### OT-CC-4-1U

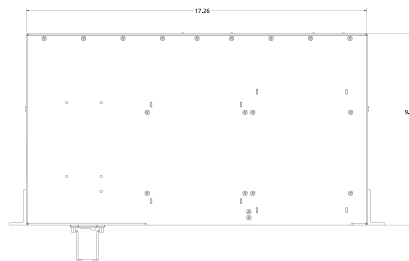
FRONT VIEW



SIDE VIEW

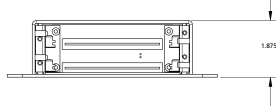


TOP VIEW

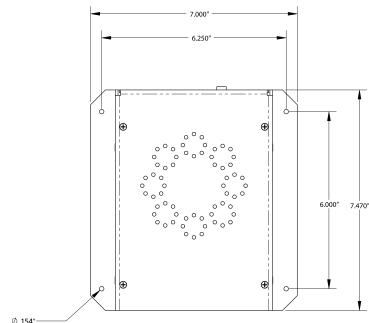


#### OT-DTCR-2

FRONT VIEW

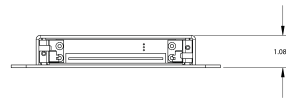


TOP VIEW

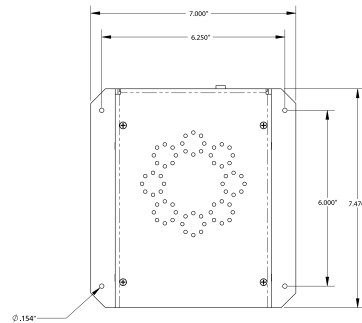


#### OT-DTCR-1

FRONT VIEW



TOP VIEW



### General

| Specifications        | Values   |
|-----------------------|--|
| Dimensions            | 6.69"L x 0.81"W x 5.06"H                       |
| Weight                | 8 lbs.   |
| Operating Temperature | -20°C to +70°C                                 |
| Storage Temperature   | -40°C to +85°C                                 |
| Humidity              | 10 to 90% (non-condensing)                     |
| Input Voltage         | 100 – 240 VAC (per power supply, not included) |
| Warranty              | 3 year   |

### Monitoring & Control

| Specifications | Values                                      |
|----------------|---|
| Local          | Front panel LED status and alert indicators |
| Remote         | OptivaView® SNMP Management Suite*          |

- \* Requires OptivaView SNMP Controller Card (Model: OPV-CTLR)

### Compliance

